

# WSP™ NON-CLOG PUMP



# WSP™ NON-CLOG PUMP

Developed using advanced technology, the WSP non-clog pump minimizes operating costs, simplifies maintenance, and maximizes reliability.

## RUGGED AND DEPENDABLE

WSP non-clog pumps are designed and developed using advanced technology to meet demanding market requirements. The non-clog pump was created by the same engineers that developed the dependable WSP and Wemco® pumps. The WSP non-clog pump is rugged and dependable, exactly the quality our customers have come to expect from WSP products.

The WSP non-clog pump design is an improved, modern design over conventional non-clog pumps in the market place. The WSP non-clog pump is designed to maintain high hydraulic efficiencies with the ability to handle large solids, improve overall pump efficiencies, reduce maintenance, and operating costs.

## BENEFITS

- Improved performance
- Lower cost
- Easy to maintain
- Extended operational life
- Larger clean-out port
- Combined bearing-frame and bracket to increase rigidity.

## CAPABILITIES

- Flow: up to 10,000 GPM/2,270 M<sup>3</sup>/hr
- Head: up to 340 ft/105 M
- Maximum solid sphere: 3 in/75 mm
- Available in horizontal, vertical, or trailer/skid mounted configurations
- Optional prime-assist available

## APPLICATIONS

- Sewage lift stations
- Return activated sludge
- Waste activated sludge
- Sewage bypass
- Dewatering
- Digesters
- Water booster
- Manure
- Industrial waste
- Light abrasives
- Agricultural waste
- Mining



### 4 INCH/100 MM

Head to: 270 feet (118 M)  
Flow to: 1325 GPM (305 M<sup>3</sup>/hr)  
Solids size: 3 inch (75 mm)



### 6 INCH/150 MM

Head to: 340 feet (105 M)  
Flow to: 3450 GPM (810 M<sup>3</sup>/hr)  
Solids size: 3 inch (75 mm)



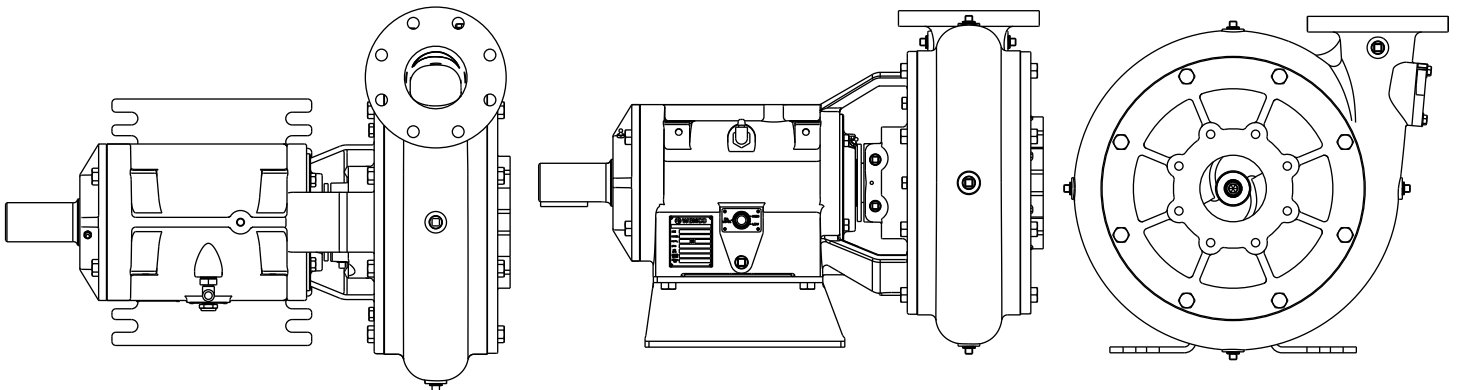
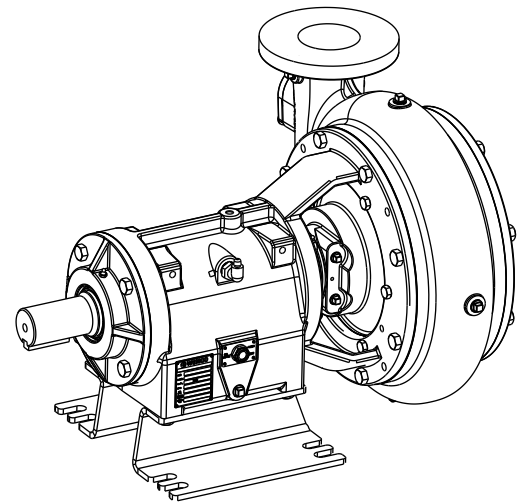
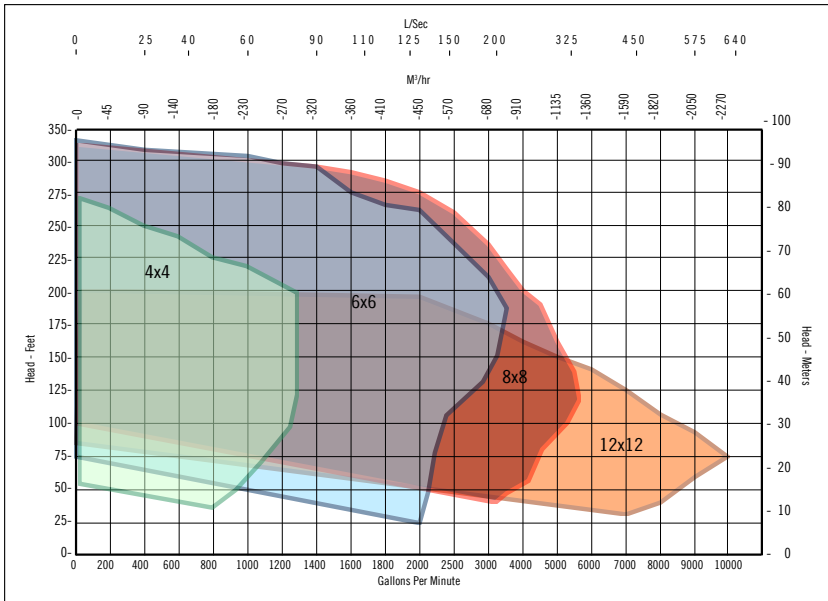
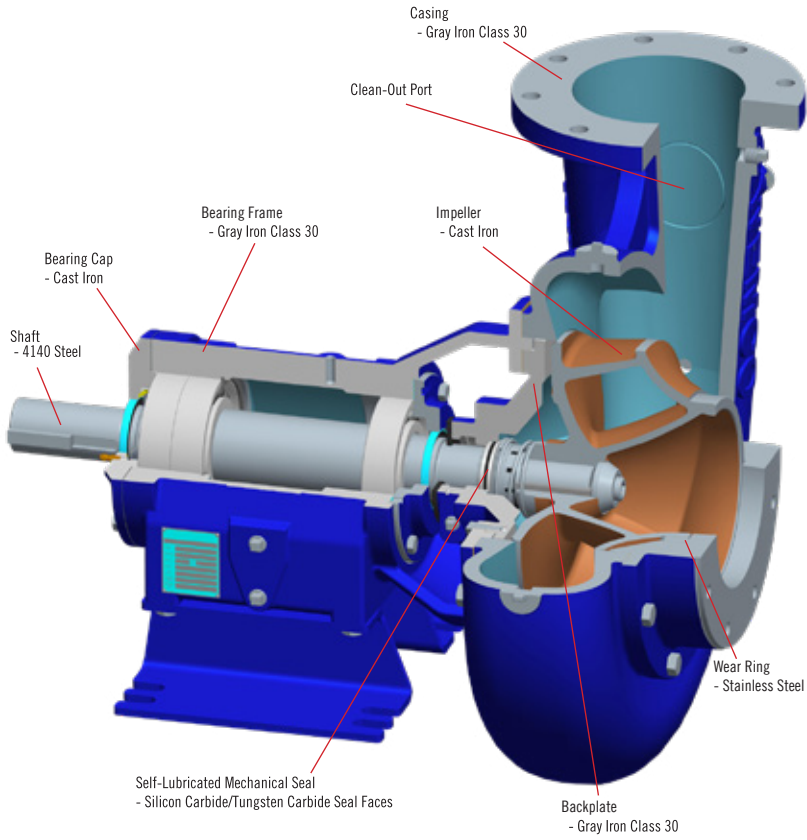
### 8 INCH/200 MM

Head to: 325 feet (98 M)  
Flow to: 5750 GPM (1400 M<sup>3</sup>/hr)  
Solids size: 3 inch (75 mm)



### 12 INCH/305 MM

Head to: 245 feet (75 M)  
Flow to: 11,000 GPM (2,498 M<sup>3</sup>/hr)  
Solids size: 3 inch (75 mm)





## Trillium Pumps USA, Inc.

2495 S. Golden State Avenue

Fresno, CA 93706 USA

T: +1 559 442 4000

F: +1 559 442 3098

[TRILLIUMFLOW.COM](https://trilliumflow.com)